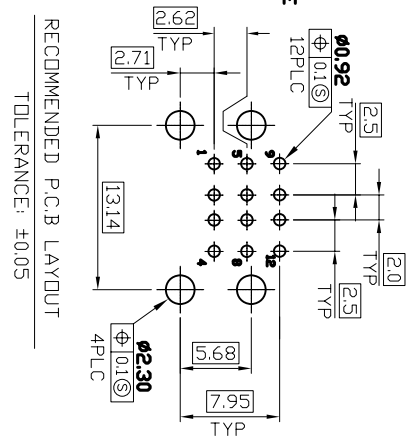
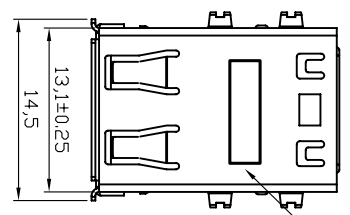


MAPX	MODIFICATION	DATE
------	--------------	------

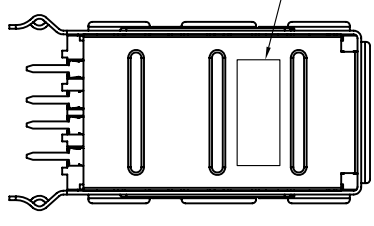
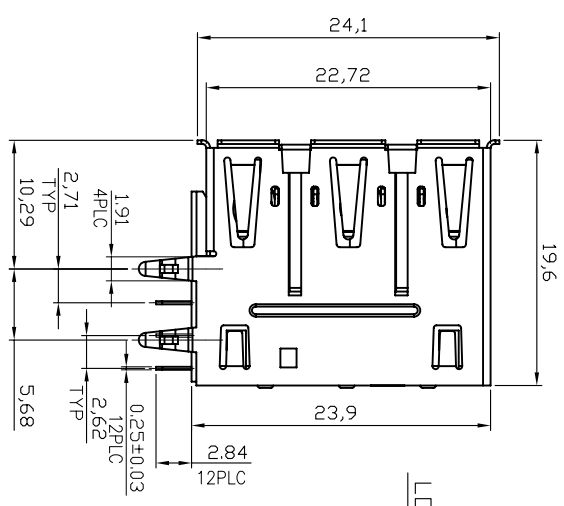
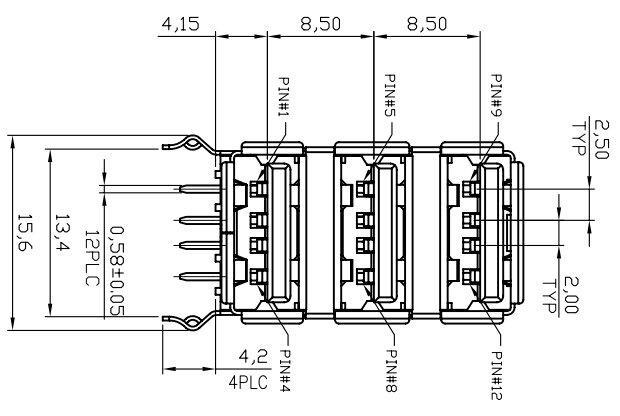
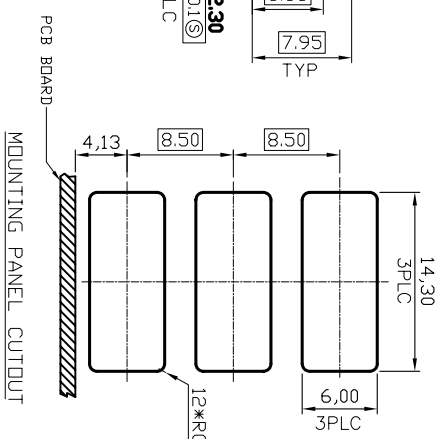
NOTES:
1. MATERIAL:
1.1 HOUSING:PA6T+30% G/F,COLOR:BLACK, UL 94V-0;
1.2 CONTACTS: PHOSPHOR BRONZE
1.3 SHELL :PHOSPHOR BRONZE DR SK7
1.4 ISOLATED:PHOSPHOR BRONZE DR SK7
1.5 REAR SHELL :SPCC

2. FINISH:
2.1 CONTACT:
GOLD/SEE TABLE) PLATING ON CONTACT AREA.
100u" MIN. BRIGHT-TIN PLATING ON SOLDER TAIL AREA.50u" MIN. NICKEL UNDERPLATING OVERALL,
2.2 SHELL:
100u" MIN. NICKEL UNDERPLATING.
2.3 ISOLATED:SHELL: 100u" MIN. NICKEL PLATED
2.4 REAR SHELL:100u" MIN. NICKEL PLATED.

3. ELECTRICAL CHARACTERISTICS:
CURRENT RATING: 0.5Ampere Maximum
VOLTAGE: 30V AC.
CONTACT RETENTION FORCE:0.7KG/MINIMUM.
CONTACT RESISTANCE: 30 MILLIOHMS MAXIMUM.
INSULATION RESISTANCE: 1000MEG OHMS MINIMUM.
DIELECTRIC WITHSTANDING VOLTAGE: 750V AC AT SEE LEVEL.
TEMPERATURE: -55°C~85°C .



RECOMMENDED P.C.B LAYOUT
TOLERANCE: ±0.05



产品图

PRODUCT CHART DWG

公差一览表

深圳市精拓金电子有限公司

TOLERANCE UNLESS OTHERWISE	公差一览表	单位	MM	制图	Gavin	制图料号	907-118A502AD10200
X ±0.35	X ±5°	UNITS	MM	DRAWING	审核	产品名称	AP2.0 90度三层弯脚有边平弹不锈钢脚6黑胶
X ±0.30	X ±2°	SCALE	1:1	CHKD	郭治富	PRODUCT NO	
XX ±0.20	XX ±1°	DATE	2013-06-15	核准	黄国荣	角法	
XXX ±0.10	XXX ±0.5°			APPD		VER	版本
						VIEW	AD

1 2 3 4 5 6 7 8 9 10

G F E D C B A